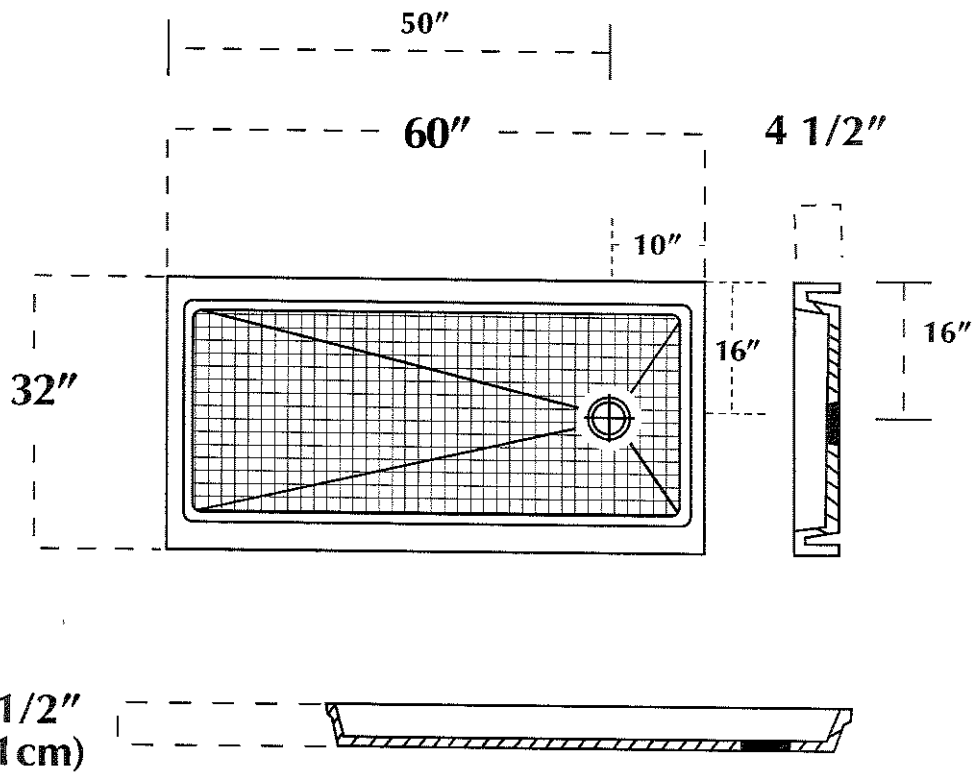


Venetian Marble, Inc.

SPECIFICATION DRAWING

Shower Pan REPLACEMENT 1050-06 DBL.THRESHOLD



REPLACEMENT PAN 1050-06 Dbl Threshold

2150 Carter Gallier Blvd, Suite A, Powhatan, VA 23139
804.378.1190 / 804.378.1193 fax