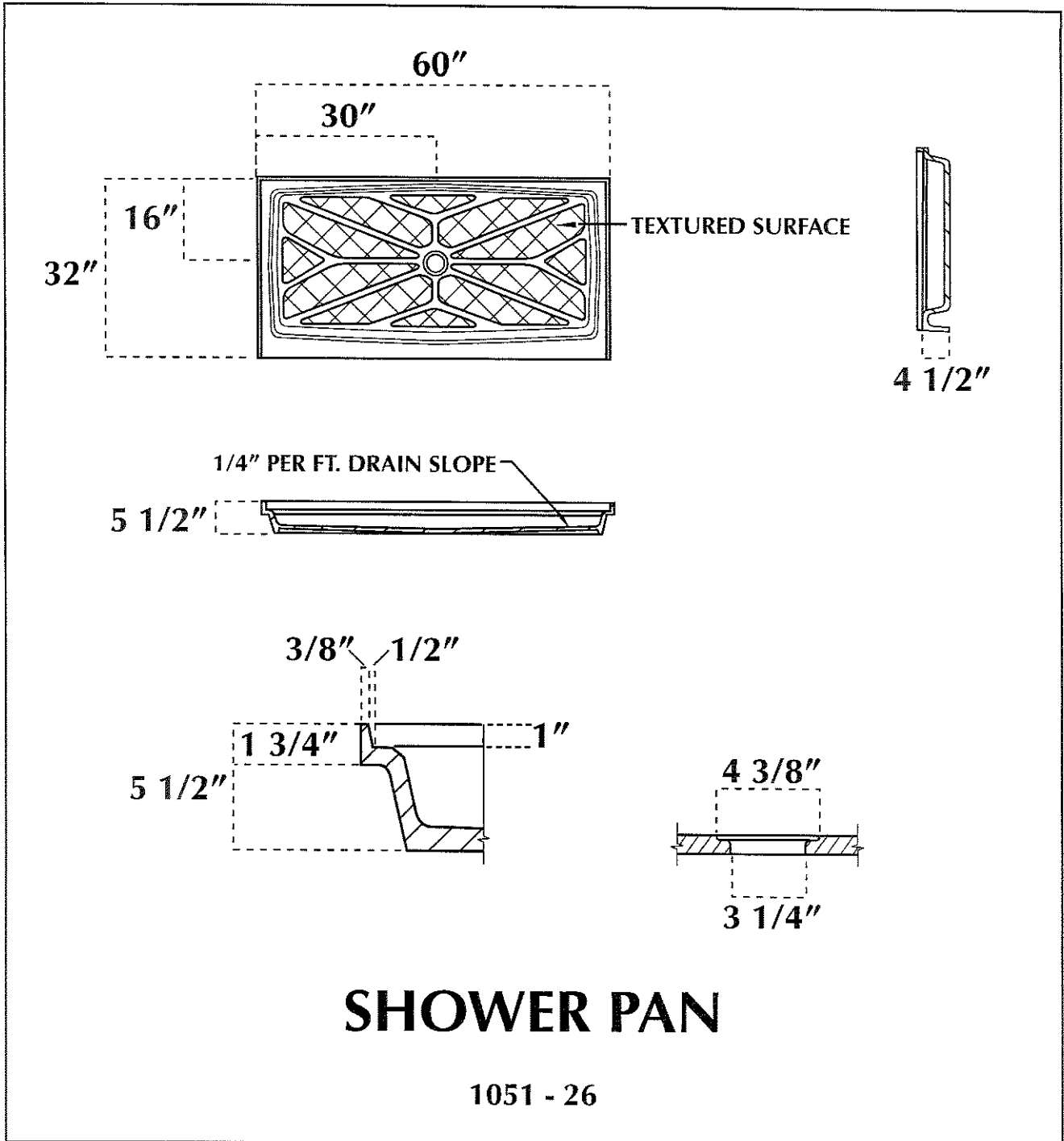


# Venetian Marble, Inc.

## SPECIFICATION DRAWING

### SHOWER PAN 1051-26



2150 Carter Gallier Blvd, Suite A, Powhatan, VA 23139  
804.378.1190 / 804.378.1193 fax