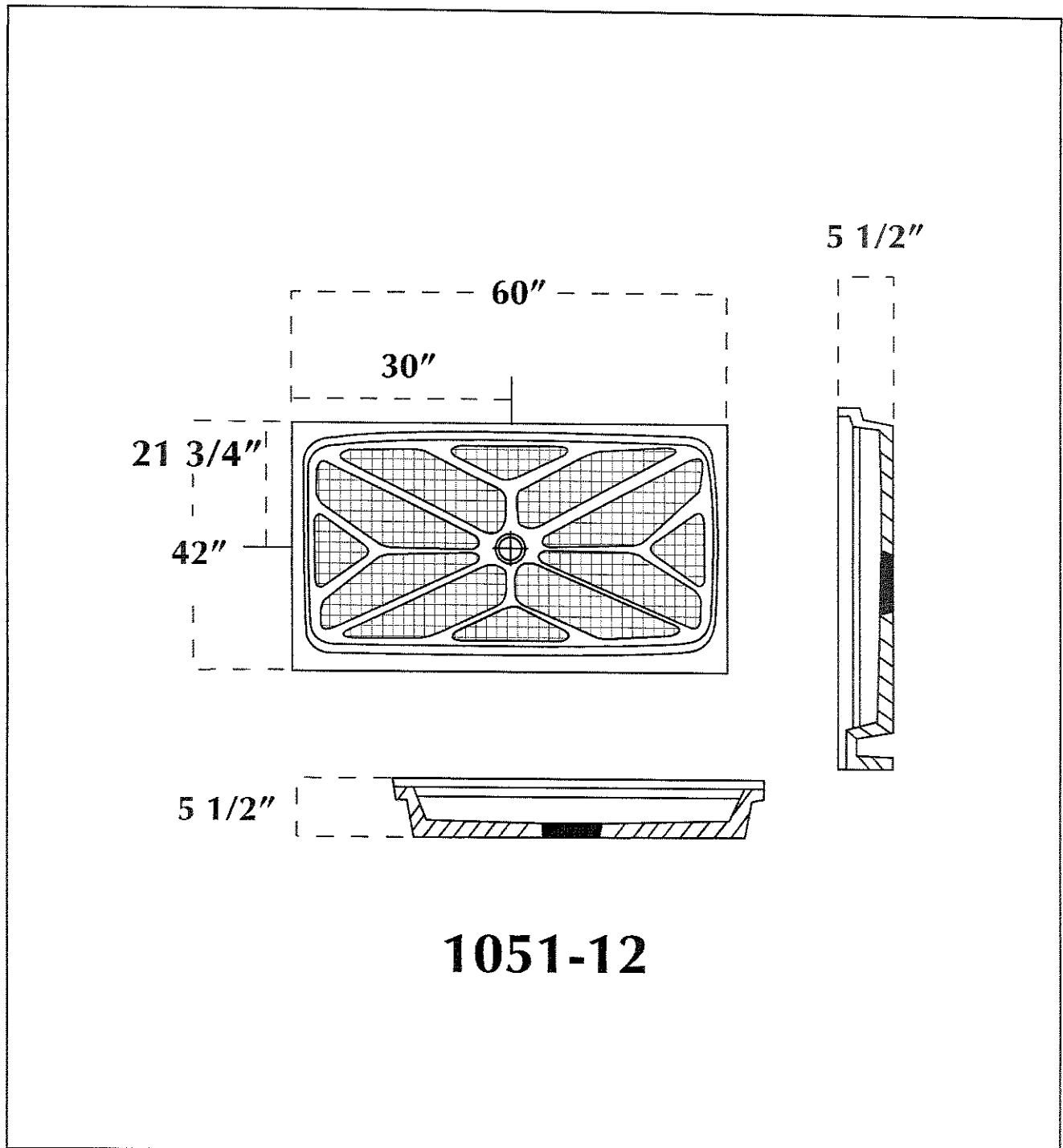


# Venetian Marble, Inc.

## SPECIFICATION DRAWING

Shower Pan **1051-12**



2150 Carter Gallier Blvd, Suite A, Powhatan, VA 23139  
804.378.1190 / 804.378.1193 fax