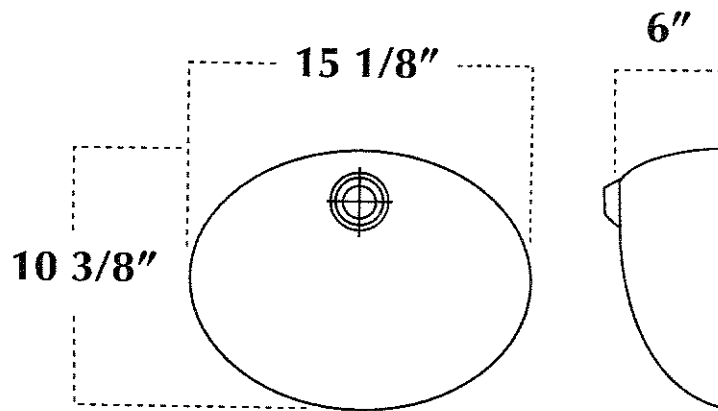


Venetian Marble, Inc.

SPECIFICATION DRAWING

Bowl **MINI OVAL**



MINI OVAL